

## THE PRODUCTS

### SECTIONAL AND GARAGE DOORS



### SWING GATES



### SLIDING GATES



### ELECTROMECHANICAL BARRIERS



### ROLLER



## THE ACCESSORIES



**DIGIRAD**  
Metal vandalproof  
hardwired keypad.



**FLASHING LIGHT**  
with built-in  
433,92 Mhz  
aerial.



**KYO**  
Metal vandalproof  
keyswitch.



**PROGRAMMING  
KEYBOARD**  
to customize  
installations.



**RADIO DEVICES**  
Frequency 433,92 Mhz  
Rolling Code or cloneable



**CONTROL BOARDS**  
230V a.c. e 24V d.c.,  
exact and simple  
programming.



**SAFETY BEAMS**  
Reliable and easy to install.



DEALER STAMP



ISO 9001 certified company  
Certificate n. 50 100 5350



**DEA SYSTEM S.p.A.**

Automation for gates, doors and barriers

Via della Tecnica, 6 - 36013 PIOVENE ROCCHETTE (VI) - ITALY

Telefono: +39 0445 550789 - Fax: +39 0445 550265

www.deasystem.com - info@deasystem.com

www.stadioncalussi.com

cod. 692305 - 09/2010

dea  
system

www.deasystem.com



Automation for sliding gates

GULLIVER

LIVI



Automation for gates, doors and barriers



# GULLIVER

FOR GREAT PERFORMANCES

## Automation for industrial sliding gates



- Product in conformity with European standards.
- Electromechanical automation, 230v a.c., 400v a.c. and 24v d.c.
- Suitable for gates from 1000 kg to 2200 kg.
- Suitable for intensive, industrial and collective operation.
- Easy to install, thanks to the adjustable fixing plate.
- Motor control by encoder (in the models in 230V ac and 400V ac) which adjusts the speed while keeping the couple during the slowdown.
- Slow-down and reverser on obstacle.
- Integrated limit-switch.
- Simple unlocking system by key.
- Electromechanical brake to get a more immediate stop of the gate.
- Internal ventilation to get a more intensive duty.
- Grease soaked gear motor.

GULLIVER is the automation for sliding gates from 1000 kg to 2200 kg, where an intensive duty is required. The sturdiness and the choice of the details are a guarantee of reliability in time. Thanks to the electronic clutch, safety is assured. The control board is integrated in the case, aiding the already quick installation of the Gulliver.



# LIVI

STURDY & RELIABLE, WITH MANY YEARS OF EXPERIENCE

## Electromechanical operator for sliding gates



- Product in conformity with European standards.
- Electromechanical automation, 230V a.c. and 24V d.c.
- Suitable for gates up to 900 kg.
- Easy to install, thanks to the adjustable fixing plate.
- Motor control by encoder (in 230V a.c. models) which adjusts the speed while keeping the couple during the slowdown.
- Integrated limit switches.
- Simple unlocking system by key.
- Electronic force adjustment.
- Grease soaked gear motor.

LIVI is the operator for sliding gates up to 900 kg, which combines a great sturdiness and reliability with an agreeable and original design, which has been marking out this product for several years. Thanks to the mechanical or electronic clutch, safety is assured. The control board is integrated in the case, aiding the already quick installation of the Livi and allowing rapid, precise & stable programming.

# GULLIVER

FOR GREAT PERFORMANCES



## THE MODELS

### Operators 230V a.c.

**18RR:** operator for gates up to 1800 Kg. with limit switches, built-in control board art. 203RR\* and motor control by encoder.

**1503E:** operator for gates up to 1500 Kg. with limit switches and built-in control board art. 212E.

### Operators 24V d.c.

**10/24RRS/F:** Operator for gates up to 1000 Kg. with limit switches and built-in control board art. 124RRS\*.

### Operators 400V a.c.

**22RRT:** operator for gates up to 2200 Kg. with limit switches, built-in control board art. 400RR\*\* and motor control by encoder.

**22RRTF:** operator for gates up to 2200 Kg. with electro-mechanical brake, limit switches, built-in control board art. 400RR\*\* and motor control by encoder.

\*all control boards included in the RR range come equipped with a 2-channel wireless 433 Mhz receiver, pedestrian opening, electronic adjustment of speed and force, reverser function on obstacle and slow-down.

\*\*400RR control board has an anti-inertia braking device. DEA System control boards are planned to optimize the performances of Gulliver range.

DEA System control boards are planned to optimize the performances of Gulliver range in compliance with European standards EN 12453 – EN 12445.

## TECHNICAL INFORMATION

Model	18RR 1503E	22RRT 22RRTF	10/24/RRS/F
Motor power supply (V)	230 V a.c.	400 V a.c.	24 V d.c.
Capacity (W)	560	1200	250
Duty cycle	60%	80%	70%
Max thrust (N)	875	1650	450
Operating temperature (°C)	-20°÷60°	-20°÷60°	-20°÷60°
Speed (m/min)	10	10	10,5
Protection level	IPX4	IPX4	IPX4
Weight with packing (Kg)	30	30	30

## ACCESSORIES



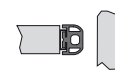
**Art. 111**  
Nylon rack, with metal interior and fixing screws.



**Art. M6**  
M6 Gulliver galvanized gear  
M=6Z=12Øe=84.



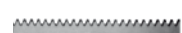
**Art. 112**  
Galvanized steel rack 22x22mm.



**Art. Soft**  
Safety rubber profile (complete with aluminium base) useful to reduce the impact forces. To be used together with control boards of range RR.



**Art. 113**  
Galvanized steel rack 30x12mm with zinc-plated spacers.



**Art. 116**  
M6 rack.

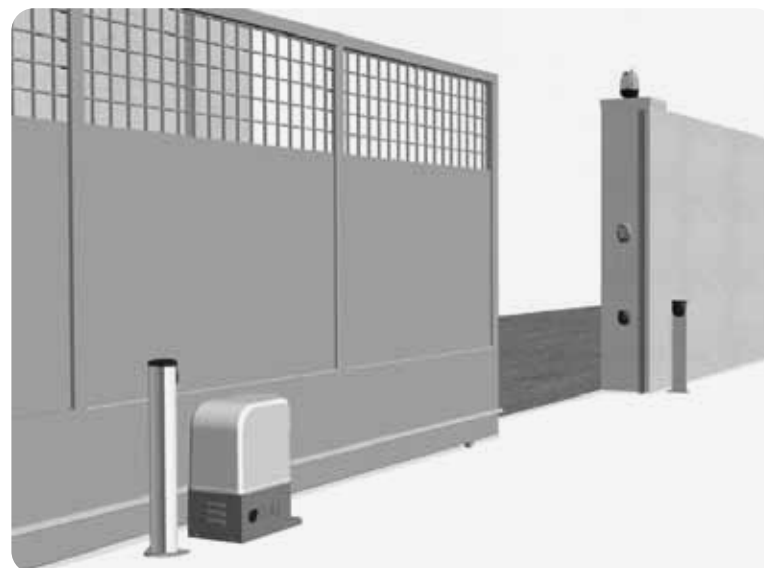
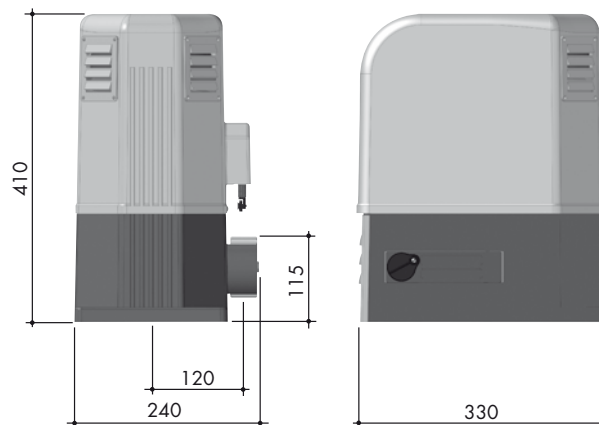


Simple unlocking system by key



Integrated limit-switch in opening and closing

## DIMENSIONS





# LIVI

STURDY & RELIABLE, WITH MANY YEARS OF EXPERIENCE



## THE MODELS

### Operators 230V a.c.

**6RR:** operator with built-in control board art. 203RR\*, for gates up to 600 kg, motor control by encoder, with built-in limit switches.

**9RR:** operator with built-in control board art. 203RR\*, for gates up to 900 kg, motor control by encoder, with built-in limit switches.

**805RR:** operator with built-in control board art. 203RR\*, for gates up to 800 kg, motor control by encoder, not self locking, with built-in limit switches.

**403E:** operator with built-in control board art. 212E, for gates up to 400 kg, with built-in limit switches.

**803E:** operator with built-in control board art. 212E, for gates up to 800 kg, with built-in limit switches.

### Operators 24V d.c.

**5/24RR/F:** operator with built-in control board art. 124RR\*, for gates up to 500 kg, with built-in limit switches.

**8/24RR/F:** operator with built-in control board art. 124RR\*, for gates up to 800 kg, with built-in limit switches.

*\*all control boards included in the RR range come equipped with a 2-channel wireless receiver 433 Mhz, pedestrian opening, electronic adjustment of speed and force, reverser function on obstacle and slow-down. All functions are adjusted by 3 buttons and a digital display.*

*DEA System control boards are planned to optimize the performances of Livi range.*

## TECHNICAL INFORMATION

Model	6RR 403E	9RR 803E	805RR	5/24RR/F	8/24RR/F
Motor power supply (V)	230 V a.c.	230 V a.c.	230 V a.c.	24 V d.c.	24 V d.c.
Capacity (W)	320	450	350	80	110
Duty cycle	30%	30%	30%	80%	80%
Max thrust (N)	340	490	275	210	260
Operating temperature (°C)	-20°÷40°	-20°÷40°	-20°÷40°	-20°÷40°	-20°÷40°
Speed (m/min)	10	10	10,8	10	10
Protection level	IPX4	IPX4	IPX4	IPX4	IPX4
Weight with packing (Kg)	11	12,5	12,5	12	12

## ACCESSORIES



**Art. 111**  
Nylon rack, with metal interior and fixing screws.



**Art. 112**  
Galvanized steel rack 22 x 22 mm.



**Art. 113**  
Galvanized steel rack 30x12 mm with zinc-plated spacers.



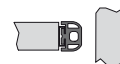
**Art. 460**  
Foundation plate to be cemented.



**Art. 450**  
Unlocking device kit for LIVI. To be used in connection with BLINDOS.



**Art. BLINDOS**  
Safety enclosure to place external unlocking device handle.



**Art. Soft**  
Safety rubber profile (complete with aluminium base) useful to reduce the impact forces. To be used together with control boards of range RR.



Simple unlocking system by key



Metal body and highly sturdy components

## DIMENSIONS

